



- RS-232,RS-485 CONTROL
- COMPACT, HIGH POWER 100W
- ULTRAL-LOW 0.001% CAN BE CUSTOMIZED
- HIGH STABILITY AND RELIABILITY
- HIGH EFFICIENCE, NEARLY 90% VOLTAGE PROGRAMMING,
- CURRENT PROGRAMMING OPTIONAL
- LOCAL AND REMOTE CONTROL
- OEM CUSTOMIZATION AVAILABLE

## INTRODUCTION

Wisman' s ME series is compact high voltage power supply with features of high stability, ultra-low ripple and small size. Local internal potentiometers and external potentiometers or external reference rated voltage are provided to all the ME models. It has current and voltage monitor, arcing, short-circuit and overload protection. RS-232 and RS-485 optional.

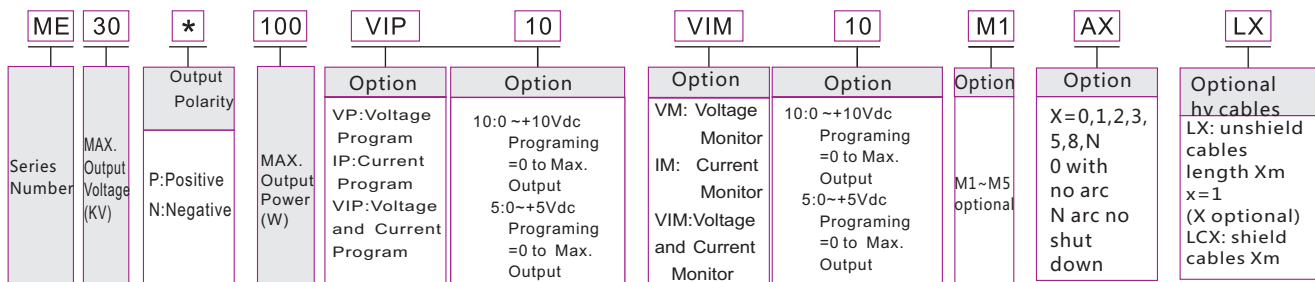
## APPLICATION

Mass spectrometry Micro-channel plate detector, SEM (electron microscope), ESD, Ultra-sonic transducer, Electron multiplier detector, Electrophoresis, DNA sequencing, EBM, IBM, E-chuck, High voltage bias, Withstand voltage testing, Electrostatic spinning, Capacitor charging, Semiconductor testing, electronic components aging, Gas chromatography, Blood analysis, Cathode X-ray tube, SPECT scanner, PET scanner, Life science, Medical industrial, Science experiment and Industrial applications.

## ME SELECTION TABLE

kV	mA	P(W)	MODEL	kV	mA	P(W)	MODEL	kV	mA	P(W)	MODEL	kV	mA	P(W)	MODEL
3	2	6	ME3*6	10	0.6	6	ME10*6	20	0.3	6	ME20*6	30	0.2	6	ME30*6
	3	9	ME3*9		0.9	9	ME10*9		0.45	9	ME20*9		0.3	9	ME30*9
	5	15	ME3*15		1.5	15	ME10*15		0.75	15	ME20*15		0.5	15	ME30*15
	10	30	ME3*30		3	30	ME10*30		1.5	30	ME20*30		1.0	30	ME30*30
	20	60	ME3*60		6	60	ME10*60		3	60	ME20*60		2.0	60	ME30*60
	25	75	ME3*75		7.5	75	ME10*75		3.75	75	ME20*75		2.5	75	ME30*75
33.33	100	ME3*100	10	100	ME10*100	5	100	ME20*100	3.33	100	ME30*100				
5	1.2	6	ME5*6	15	0.4	6	ME15*6	25	0.24	6	ME25*6				
	1.8	9	ME5*9		0.6	9	ME15*9		0.36	9	ME25*9				
	3	15	ME5*15		1	15	ME15*15		0.6	15	ME25*15				
	6	30	ME5*30		2	30	ME15*30		1.2	30	ME25*30				
	12	60	ME5*60		4	60	ME15*60		2.4	60	ME25*60				
	15	75	ME5*75		5	75	ME15*75		3	75	ME25*75				
20	100	ME5*100	6.67	100	ME15*100	4	100	ME25*100							

## ME SELECTION EXAMPLE





**FEATURES**

**ISO9001:2015**

PARAMETERS	DESCRIBE
Input	+24Vdc± 5%,5.0A at maximum
Output	3kV,5kV,10kV,15kV,20kV,25kV,30kV optional 6W~100W optional
Stability	< 0.01% per 8 hours after half an hour' s warm up.
Temperature coefficient	≤25ppm/°C。
Ripple	≤0.1%Vp-p. (Lower ripple can be customized.)
Voltage current monitor	0~ +10Vdc=0~100% rated output,Zout=10kΩ, accuracy:±1%
Voltage local control	Internal potentiometer set output voltage from 0~100% rated output.
Voltage remote control	External 0~ +10Vdc control signal set output voltage from 0~100% rated output,Zin=10MΩ.
Voltage load regulation	0.01%(no load to full load)
Voltage line regulation	±0.01%(Input Voltage line changes ±10%)
Current load regulation	0.01%(no load to full load)
Current line regulation	±0.01%(Input Voltage line changes ±10%)
Operation temperature	0°C ~ +40°C。
Storage temperature	-40°C ~ +85°C。
Cooling	0~60W:convection cooling;60W~100W:Fan assisted
Humidity	20%~85%RH,no condensing
Input connector accessories	Plug type:9B3.9608; Wire metal terminals : 9B3.96T
Dimensions	10kV~20kV:1.50''H x3.94''W'x7.09''D(38.00mmx100.00mmx180.00mm) 30kV: 1.69''H x3.94''W'x8.07''D(43.00mmx100.00mmx205.00mm)
Weight	20kV:1kg; 30kV:1.45kg

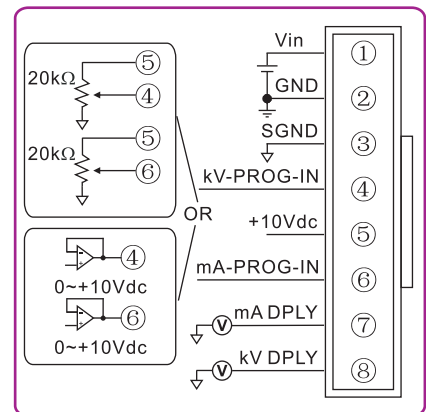
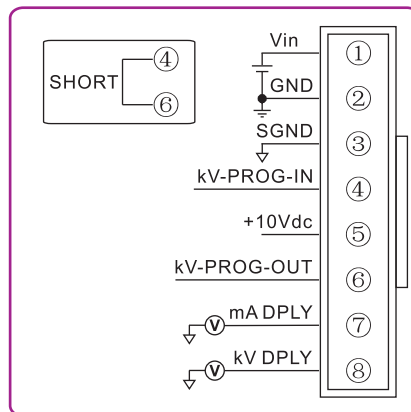
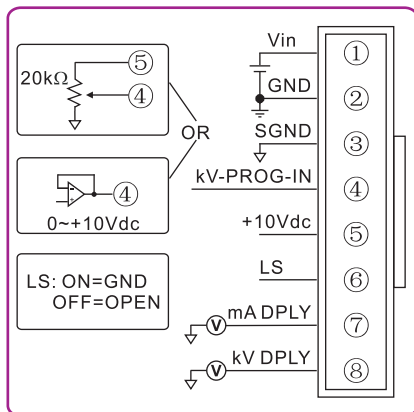
**C HIGH VOLTAGE MODULES**

**ME ANALOG INTERFACE**

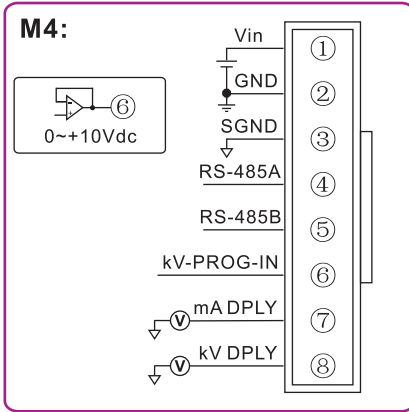
**M1: VOLTAGE REMOTE PROGRAMMING**

**M2: VOLTAGE INTERNAL PROGRAMMING**

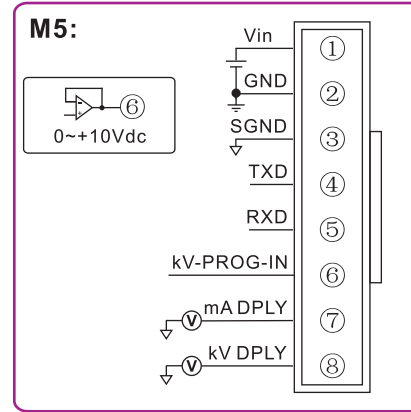
**M3: VOLTAGE AND CURRENT CROSS CONTROL**



## ME DIGITAL CONNECTION(RS-485)<sup>D</sup>



## ME DIGITAL CONNECTION(RS-232)<sup>D</sup>



## DIMENSIONS

DIMENSIONS:in.[mm]

VOLTAGE	A	B	C	D	E	F
0~20kV	7.086[180.0]	6.692[170.0]	6.299[160.0]	3.937[100.0]	2.756[70.0]	1.496[38.0]
0~30kV	8.071[205.0]	7.677[195.0]	7.283[185.0]	3.937[100.0]	3.543[90.0]	1.693[43.0]



FANS(15CFM) ASSISTED AT 60W~100W

