



ISO9001:2015

Page 1 of 2

C
MODULES

- RS232, RS485 DIGITAL CONTROL OPTIONAL
- HIGH STABILITY AND RELIABILITY
- COMPACT, SIX-SIDES SHIELD, LOW RIPPLE
- VOLTAGE PROGRAMMING, CURRENT PROGRAMMING AVAILABLE
- LOCAL AND REMOTE CONTROL
- OEM CUSTOMIZATION AVAILABLE

INTRODUCTION

DNA is the compact high voltage module with features of high stability, ultra-low ripple and small size. All models can provide potentiometer and external reference voltage programming and monitor. All units have in-built protection against arcing, short protection and overload protection. RS-232, RS485 digital control optional.

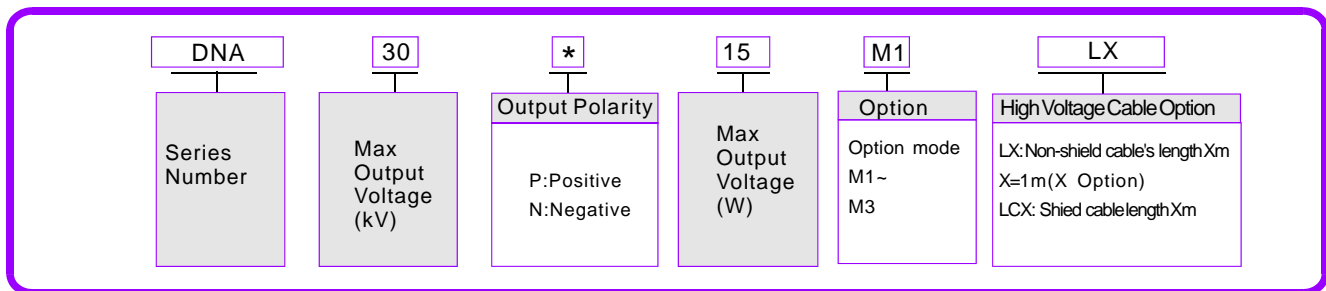
APPLICATION

DNA Sequencing, Mass Spectrometer, Micro-Channel, Electron Microscope, Electrostatic Discharge Test (ESD), Ultrasonic Transducer, Electron Multiplying Detector, Electrophoresis, Electron Beam, Ion Beam, Electrostatic Chuck High Voltage Bias, Pressure Test, Electrospinning, Capacitor Charging, Semiconductor Test, Aging of Electronic Components, Gas Chromatography, Blood Analysis, Cathode X-ray tube, SPECT Scanner, PET Scanner, Life Science, Medical Industry, Scientific Experiment, Industrial Application.

DNA SELECTION TABLE

kV	mA	P(W)	MODEL	kV	mA	P(W)	MODEL
20	0.5	10	DNA20*10	30	0.5	15	DNA30*15

DNA SELECTION EXAMPLE



SPECIFICATIONS

PARAMETER	DESCRIPTION
Input	+24Vdc ±5%, Maximum current 2.0A.
Output	20kV、30kV optional.
Stability	less than 0.01% per hour, less than 0.02% per 8 hours, after 30mins' warm up.
Temperature coefficient	≤25ppm/°C。
Ripple	≤0.01%Vp-p。
Load Regulation	0.01% (from no load to full load)。
Input Regulation	±0.01% (input voltage changes ±10%)。
Current Load Regulation	0.01% (from no load to full load)。
Current Input Regulation	±0.01% (input voltage changes ±10%)。

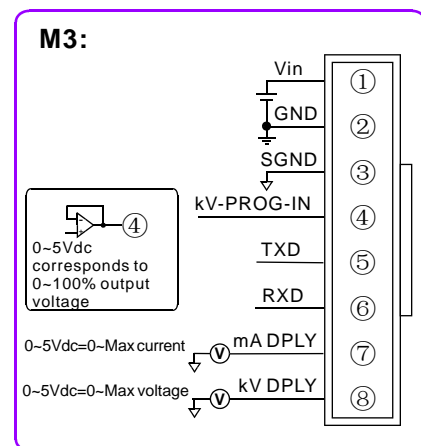
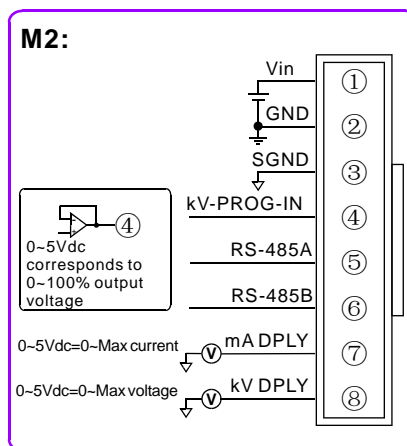
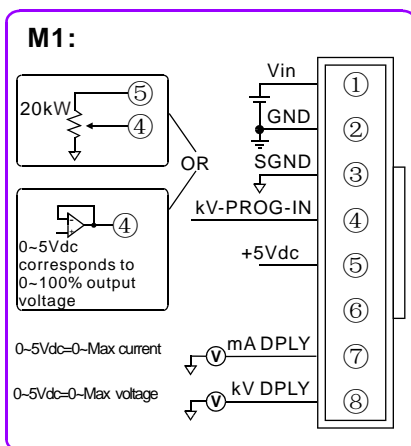


Working Temperature	-20°C to +50°C。
Storage Temperature	-40°C to +85°C。
Cooling	Convection cooling。
Humidity	20% to 85% Rh, non-condensing。
Dimensions	1.69" H x 3.94" W x 8.07" D(43.00mm x 100.00mm x 205.00mm)。
Weight	20kV: 1kg ; 30kV: 1.45kg。

DNA ANALOG CONNECTION

DNA DIGITAL CONNECTION(RS-485)

DNA DIGITAL CONNECTION(RS-232)



DNA MECHANICAL DIMENSIONS

UNIT: inch[mm]

Output voltage	A	B	C	D	E	F
0~30kV	8.071[205.0]	7.677[195.0]	7.283[185.0]	3.937[100.0]	3.543[90.0]	1.693[43.0]

